



VULCAN IRON WORKS INC.

SPECIFICATIONS



VULCAN SINGLE ACTING PILE HAMMER

Size 1

Model No. 02V100 Spec. No. 2208

OPERATING DATA

Rated Striking Energy.....	15,000 Ft. Lb.....	2,073 kg m
Blows Per Minute @ Rated Pressure.....	60.....	60
Nominal Stroke.....	3 Ft.....	914 mm
Striking Velocity @ Impact.....	13.94 FPS.....	4.24 m/sec.
Max Force @ Impact.....	2,165,000 Lb.....	982,044 kg
Rated Operating Pressure @ Hammer.....	80 p.s.i.....	5.62 kg/cm ²
Steam Consumption-From & @ 212° F./100° C.....	2,794 Lb./hr.....	1,267 kg/hr.
Air Consumption — (Adiabatic Compression).....	565 CFM.....	15.98 cu m/min.
Boiler H.P. Req'd. — ASME Rating.....	81 USHP.....	82 MHP
√EW Rating @ Energy Rating.....	8,660.....	8,660

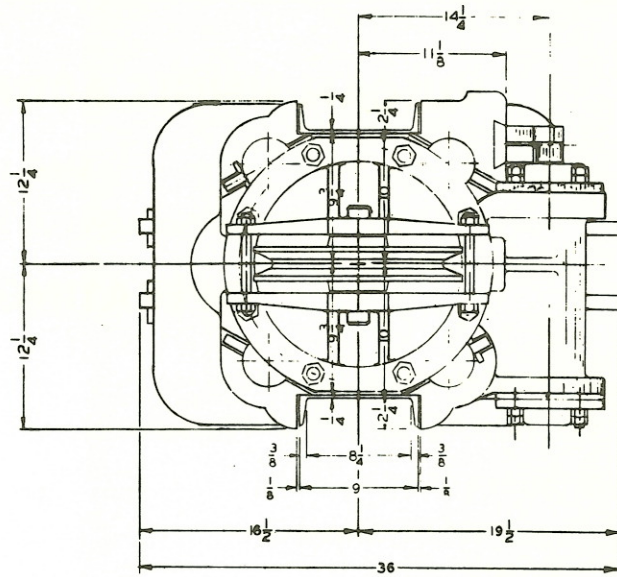
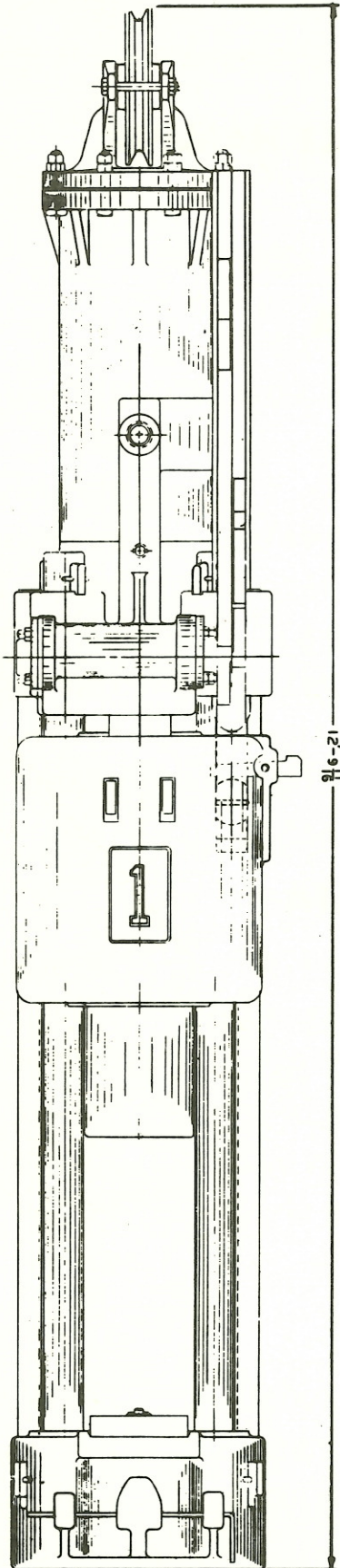
DIMENSIONAL DATA

Diameter of Piston.....	13 ½ In.....	342 mm
Area of Piston — Net.....	143.14 Sq. In.....	923.48 cm ²
Length of Hammer — Overall.....	12' 9".....	3,903 mm
Distance Across Jaws.....	20 In.....	508 mm
Width of Jaws.....	8 ¼ In.....	210 mm
Largest Diameter of Pile*.....	18 In.....	457 mm
Size of Hose.....	2 In.....	50 mm

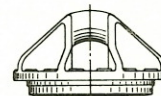
WEIGHT DATA

Weight of Striking Parts.....	5,000 Lb.....	2,268 kg
Net Weight of Hammer.....	9,700 Lb.....	4,399 kg
Shipping Weight of Hammer.....	10,100 Lb.....	4,581 kg

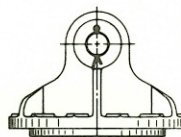
*Permitted by Standard Jaws



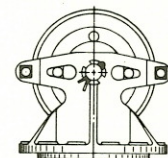
CYLINDER HEAD OPTIONS



BAR TYPE



SAND DRAIN TYPE



SHEAVE TYPE