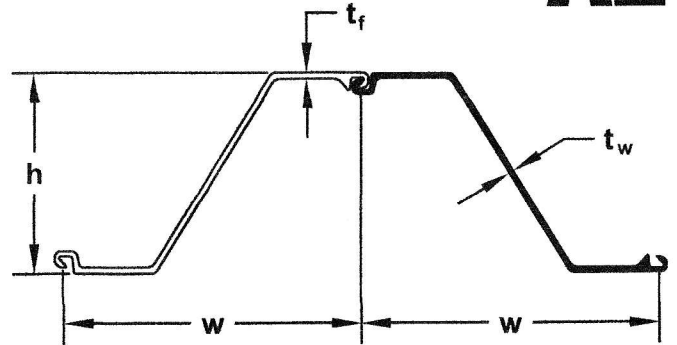


AZ



AZ Hot Rolled Steel Sheet Piling

SECTION	Width (w) in (mm)	Height (h) in (mm)	THICKNESS		Cross Sectional Area in ² /ft (cm ² /m)	WEIGHT		Section Modulus in ³ /ft (cm ³ /m)	Moment of Inertia in ⁴ /ft (cm ⁴ /m)	COATING AREA	
			Flange (t) in (mm)	Web (t _w) in (mm)		Pile lb/ft (kg/m)	Wall lb/ft ² (kg/m ²)			Both Sides ft ² /ft of single (m ² /m)	Wall Surface ft ² /ft ² (m ² /m ²)
AZ 12	26.38 670	11.89 302.0	0.335 8.50	0.335 8.50	5.94 125.7	44.42 66.10	20.22 98.70	22.3 1200	132.8 18140	5.45 1.66	1.23 1.23
AZ 13	26.38 670	11.93 303.0	0.375 9.50	0.375 9.50	6.47 136.9	48.38 72.00	22.02 107.5	24.2 1300	144.3 19700	5.45 1.66	1.23 1.23
AZ 14	26.38 670	11.97 304.0	0.413 10.50	0.413 10.50	7.03 148.9	52.62 78.30	23.94 116.90	26.0 1400	156.0 21300	5.45 1.66	1.23 1.23
AZ 17	24.80 630	14.92 379.0	0.335 8.50	0.335 8.50	6.53 138.3	45.96 68.40	22.24 108.60	31.0 1665	231.3 31580	5.64 1.72	1.35 1.35
AZ 18	24.80 630	14.96 380.0	0.375 9.50	0.375 9.50	7.11 150.4	49.99 74.40	24.19 118.10	33.5 1800	250.4 34200	5.64 1.72	1.35 1.35
AZ 19	24.80 630	15.00 381.0	0.413 10.50	0.413 10.50	7.74 163.8	54.43 81.00	26.34 128.60	36.1 1940	270.8 36980	5.64 1.72	1.35 1.35
AZ 25	24.80 630	16.77 426.0	0.472 12.00	0.441 11.20	8.74 185.0	61.49 91.50	29.74 145.20	45.7 2455	382.6 52250	5.91 1.80	1.41 1.41
AZ 26	24.80 630	16.81 427.0	0.512 13.00	0.480 12.20	9.35 198.0	65.72 97.80	31.79 155.20	48.4 2600	406.5 55510	5.91 1.80	1.41 1.41
AZ 28	24.80 630	16.85 428.0	0.551 14.00	0.520 13.20	9.97 211.1	70.15 104.40	33.94 165.70	51.2 2755	431.6 58940	5.91 1.80	1.41 1.41
AZ 34	24.80 630	18.07 459.0	0.669 17.00	0.512 13.00	11.03 233.5	77.61 115.50	37.54 183.30	63.8 3430	576.3 78700	6.10 1.86	1.47 1.47
AZ 36	24.80 630	18.11 460.0	0.709 18.00	0.551 14.00	11.67 247.1	82.11 122.20	39.73 194.00	67.0 3600	606.3 82800	6.10 1.86	1.47 1.47
AZ 38	24.80 630	18.15 461.0	0.748 19.00	0.591 15.00	12.33 261.0	86.75 129.10	41.97 204.90	70.3 3780	637.7 87080	6.10 1.86	1.47 1.47
AZ 36-700	27.56 700	19.65 499.0	0.669 17.00	0.441 11.20	10.19 215.7	79.63 118.50	34.68 169.30	67.0 3600	657.2 89740	6.76 2.06	1.46 1.46
AZ 38-700	27.56 700	19.69 500.0	0.709 18.00	0.480 12.20	10.85 229.7	84.80 126.20	36.93 180.30	70.7 3800	694.5 94840	6.76 2.06	1.46 1.46
AZ 40-700	27.56 700	19.72 501.0	0.748 19.00	0.520 13.20	11.50 243.5	89.91 133.80	39.14 191.10	74.4 4000	731.8 99930	6.76 2.06	1.46 1.46
AZ 46	22.83 580	18.94 481.0	0.709 18.00	0.551 14.00	13.76 291.2	89.10 132.60	46.82 228.60	85.5 4595	808.8 110450	6.23 1.90	1.63 1.63
AZ 48	22.83 580	18.98 482.0	0.748 19.00	0.591 15.00	14.48 306.5	93.81 139.60	49.28 240.60	89.3 4800	847.1 115670	6.23 1.90	1.63 1.63
AZ 50	22.83 580	19.02 483.0	0.787 20.00	0.630 16.00	15.22 322.2	98.58 146.70	51.80 252.90	93.3 5015	886.5 121060	6.23 1.90	1.63 1.63