

S/N 16997

ERIE



ERIE STRAYER COMPANY

2-LINE
AMSHELL BUCKETS
XHD SERIES

PAGE C-13A

DATE
ISSUED

TERMS: Net Cash Thirty (30) Days or 2% Discount for Cash Within Ten (10) Days Following Date of Shipment. Subject to Credit Approval. Prices and Specifications Subject to Change Without Notice.

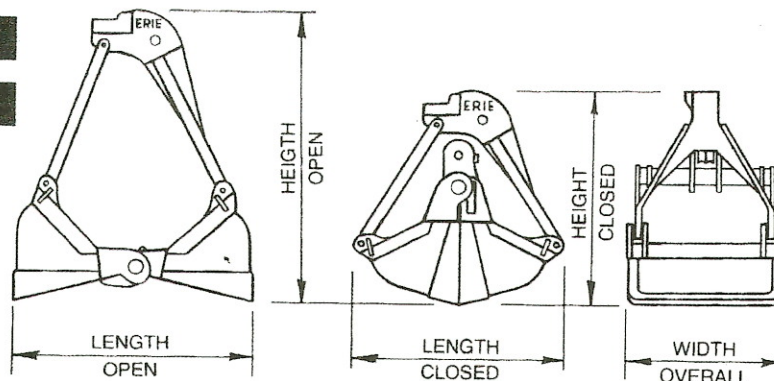
WARRANTY: The manufacturer is limited solely to furnishing the necessary material for replacement or repairs of parts proven defective within a period of 180 days from date of first usage. The manufacturer is not liable for freight or other transportation charges in any case to or from plant at Erie, Pa.

"XHD" SERIES

EXTRA HEAVY DUTY
EXTRA HEAVY DUTY BUCKET RECOMMENDED FOR THE TOUGH EXCAVATING
AND DREDGING OF MATERIALS HAVING A WEIGHT UP TO 200 LBS. PER CUBIC FOOT
IN A LOOSE STATE.

| BUCKET MODEL NUMBER | XHD2 | XHD212 | XHD3 | XHD312 | XHD4 | XHD412 | XHD5 | |
|-----------------------------|-----------------------------|--------|--------|--------|--------|--------|--------|--------|
| NOMINAL CAPACITY - CU. YDS. | 2 | 2½ | 3 | 3½ | 4 | 4½ | 5 | |
| HEIGHT OPEN | 10'6" | 10'11" | 11'4" | 12'8" | 13'2" | 13'5" | 13'10" | |
| HEIGHT CLOSED | 8'5" | 8'9" | 9'0" | 10'7" | 10'11" | 11'1" | 11'3" | |
| LENGTH OPEN | 9'5" | 10'0" | 10'7" | 11'8" | 12'2" | 12'5" | 12'10" | |
| LENGTH CLOSED | 8'1" | 8'3" | 8'10" | 9'2" | 9'9" | 9'11" | 10'5" | |
| WIDTH OVERALL | 4'7" | 5'1" | 5'1" | 5'5" | 5'6" | 6'1" | 6'1" | |
| CABLE TO REEVE | 61'0" | 62'10" | 65'0" | 76'3" | 77'0" | 79'0" | 81'0" | |
| CABLE TO CLOSE | 39'6" | 40'5" | 42'6" | 46'2" | 48'0" | 50'0" | 52'0" | |
| MAXIMUM PARTS TO REEVE | 6 | 6 | 6 | 6 | 6 | 6 | 6 | |
| CABLE DIAMETER | 1" | 1" | 1" | 1½" | 1½" | 1¼" | 1¼" | |
| SHEAVE DIAMETER | 18" | 18" | 18" | 24" | 24" | 24" | 24" | |
| DECK AREA - SQ. FT. | 43.1 | 50.9 | 53.5 | 63.2 | 66.8 | 75.6 | 77.8 | |
| CAPACITIES IN CU. FT. | LINE OF PLATE | 59.00 | 70.2 | 82.8 | 95.0 | 109.0 | 122.7 | 136.5 |
| | WATER LEVEL | 40.00 | 47.1 | 55.8 | 62.7 | 73.6 | 82.2 | 92.0 |
| WEIGHT | BUCKET ONLY | 9,190 | 10,100 | 11,100 | 14,800 | 16,675 | 17,200 | 18,400 |
| | COUNTERWEIGHTS ONLY | 900 | 1,060 | 1,060 | 1,100 | 1,100 | 1,100 | 1,100 |
| | TEETH NO. & WT. PER SET | 7-420 | 7-420 | 7-420 | 7-700 | 7-700 | 7-700 | 7-700 |
| | TOTAL WT. Inc. Cwt. & Teeth | 10,510 | 11,580 | 12,580 | 16,600 | 18,475 | 19,000 | 20,200 |

ERIE STRAYER



RUSH & PARKER, INC.
26 W. Main St.
W. Collingswood Hgts., NJ 08059
(856) 456-0081 Fax (856) 742-1994